



eUV-5 series

Electronic Power Supplies
for UV medium pressure lamps

Versions for max.

32.0 kW

36.0 kW

40.0 kW

System features

- Up to 40 kW lamp power
- Up to 3,100 V lamp voltage
- Analogue or digital control
- High efficiency up to 97%
- Wide-range input
- TN, TT and IT-supply capability

Advantages

- Gentle lamp start allows maximum lamp life
- Up to 300 m connection cable to UV lamp
- Very compact and light-weight design
- Rectangular burning voltage for gentle and long-lasting lamp life

eUV-5

Electronic Power Supplies

Our eUV-5 is a series of ballasts for **UV medium-pressure lamps** with high burning voltages and max. power from **32.0** to **40.0 kW**.

The eUV-5 are **suitable for all industrial applications in curing and printing industry and UV water treatment applications**, such as sewage or ballast water treatment systems. For the latter we offer a specially developed maritime design on request.

Characteristics

The **high efficiency** of 97%, the dimming range from 5% to 100% and the integral HF sine-ignitor ensure efficient and lamp-friendly operation. The wide range of supply voltages and the suitability for IT networks enable operation on almost all mains supplies worldwide.

The permissible **cable length** of our eUVs of **up to 300 m** offers the system manufacturer more flexibility and extended possibilities when setting up the control cabinets.

Operation

Communication possible by **analogue or digital interfaces** allows exact control and monitoring of all lamp and ballast parameters.

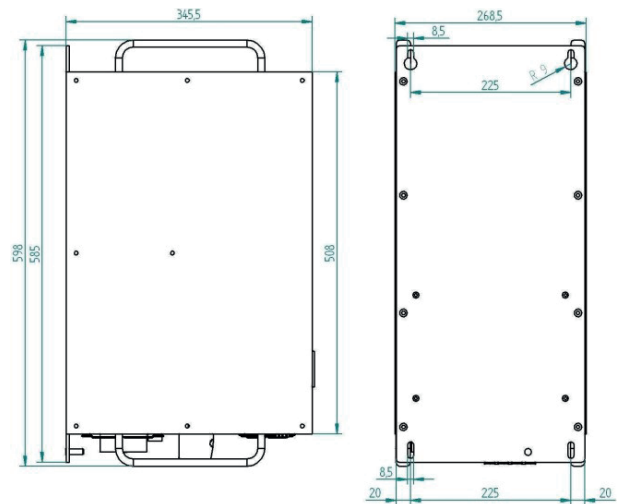
Ease of service

All eUV devices are configurable by optional OPA software and special USB cable. Parameters can be read out live.

Technical data

Available power outputs	32.0 kW to 40.0 kW
Allowed lamp voltages	max. 3,100 V
Mains supply	3x 360-530 VAC, 50/60 Hz
Power control	5% - 100 %* stepless
Efficiency	97%
Control inputs	analogue/digital
Output signals (C0)	Lamp voltage Lamp power Status signals (operation, warning, failure with failure code)
Digital connections (optional)	CANopen (C1) Modbus (C2)
Ambient temperature	0-40°C
Protection class	IP20

*depending on application and used lamp



uv-technik Speziallampen GmbH, Gewerbegebiet Ost 6, 98693 Ilmenau, Germany
Phone: +49 36 785 520-0, Fax: +49 36 785 520-21, www.uvtechnik.com

Operating parameters depend on production characteristics and may differ from the foregoing information.
We reserve the right to modify technical data. © Copyright uv-technik Speziallampen GmbH. Updated 2021.